

DATA SHEET

PCA16xx series 32 kHz watch circuits with EEPROM

Product specification
Supersedes data of 1997 Apr 21
File under Integrated Circuits, IC16

1997 Dec 12

32 kHz watch circuits with EEPROM

PCA16xx series

FEATURES

- 32 kHz oscillator, amplitude regulated with excellent frequency stability
- High immunity of the oscillator to leakage currents
- Time calibration electrically programmable and reprogrammable (via EEPROM)
- A quartz crystal is the only external component required
- Very low current consumption; typically 170 nA
- Detector for silver-oxide or lithium battery voltage levels
- Indication for battery end-of-life

- Stop function for accurate timing
- Power-on reset for fast testing
- Various test modes for testing the mechanical parts of the watch and the IC.

GENERAL DESCRIPTION

The PCA16xx series devices are CMOS integrated circuits specially suited for battery-operated, quartz-crystal-controlled wrist-watches, with bipolar stepping motors.

ORDERING INFORMATION

TYPE NUMBER	PACKAGE ⁽¹⁾		
	NAME	DESCRIPTION	VERSION
PCA1601U/10	–	chip on foil	–
PCA1602T	PMFP8	plastic micro flat package; 8 leads (straight)	SOT144-1
PCA1603U/7	–	chip with bumps on tape	–
PCA1604U	–	chip in tray	–
PCA1604U/10	–	chip on foil	–
PCA1605U/7	–	chip with bumps on tape	–
PCA1606U/10	–	chip on foil	–
PCA1607U	–	chip in tray	–
PCA1608U	–	chip in tray	–
PCA1611U	–	chip in tray	–
PCA1621U/7	–	chip with bumps on tape	–
PCA1621U/10	–	chip on foil	–
PCA1622U	–	chip in tray	–
PCA1623U/7	–	chip with bumps on tape	–
PCA1624U	–	chip in tray	–
PCA1625U/7	–	chip with bumps on tape	–
PCA1626U	–	chip in tray	–
PCA1627U/7	–	chip with bumps on tape	–
PCA1628U	–	chip in tray	–
PCA1629U/7	–	chip with bumps on tape	–

Note

1. Figure 1 and Chapter "Package outline" show details of standard package, available for specified devices and for large orders only.
Chapter "Chip dimensions and bonding pad locations" shows exact pad locations for other delivery formats.

32 kHz watch circuits with EEPROM

PCA16xx series

PINNING

SYMBOL	PIN	DESCRIPTION
V _{SS}	1	ground (0 V)
TEST	2	test output
OSC IN	3	oscillator input
OSC OUT	4	oscillator output
V _{DD}	5	positive supply voltage
M1	6	motor 1 output
M2	7	motor 2 output
RESET	8	reset input

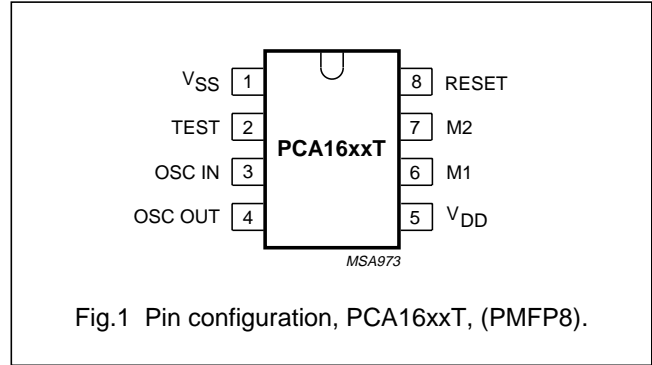


Fig.1 Pin configuration, PCA16xxT, (PMFP8).

FUNCTIONAL DESCRIPTION AND TESTING

Motor pulse

The motor pulse width (t_p) and the cycle times (t_T) are given in Chapter "Available types".

Voltage level detector

The supply voltage is compared with the internal voltage reference V_{LIT} and V_{EOL} every minute. The first voltage level detection is carried out 30 ms after a RESET.

Lithium mode

If a lithium voltage is detected ($V_{DD} \geq V_{LIT}$), the circuit will operate in the lithium mode. The motor pulse will be produced with a 75% duty factor.

Silver-oxide mode

If the voltage level detected is between V_{LIT} and V_{EOL} , the circuit will operate in silver-oxide mode.

Battery end-of-life⁽¹⁾

If the battery end-of-life is detected ($V_{DD} \leq V_{EOL}$), the motor pulse will be produced without chopping. To indicate this condition, bursts of 4 pulses are produced every 4 s.

Power-on reset

For correct operation of the Power-on reset the rise time of V_{DD} from 0 V to 2.1 V should be less than 0.1 ms. All resettable flip-flops are reset. Additionally the polarity of the first motor pulse is positive: $V_{M1} - V_{M2} \geq 0$ V.

Customer testing

An output frequency of 32 Hz is provided at RESET (pin 8) to be used for exact frequency measurement. Every minute a jitter occurs as a result of time calibration, which occurs 90 to 150 ms after disconnecting the RESET from V_{DD} .

Connecting the RESET to V_{DD} stops the motor pulses leaving them in a HIGH impedance 3-state condition and a 32 Hz signal without jitter is produced at the TEST pin. A debounce circuit protects accidental stoppages due to mechanical shock to the watch ($t_{DEB} = 14.7$ to 123.2 ms).

Connecting RESET to V_{SS} activates Tests 1 and 2 and disables the time calibration.

Test 1, $V_{DD} > V_{EOL}$. Normal function takes place except the voltage detection cycle (t_V) is 125 ms and the cycle time t_{T1} is 31.25 ms. At pin TEST a minute signal is available at 8192 times its normal frequency.

Test 2⁽²⁾, $V_{DD} < V_{EOL}$. The voltage detection cycle (t_V) is 31.25 ms and the motor pulse period (t_{T2}) = 31.25 ms.

Test and reset mode are terminated by disconnecting the RESET pin.

Test 3, $V_{DD} > 5.1$ V. Motor pulses with a time period of $t_{T3} = 31.25$ ms and $n \times 122 \mu s$ are produced to check the contents of the EEPROM. At pin TEST the motor pulse period signal (t_T) is available at 1024 times its normal frequency. The circuit returns to normal operation when $V_{DD} < 2.5$ V between two motor pulses.

(2) Only applicable for types with the battery end-of-life detector.

(1) Only available for types with a 1 s motor pulse.

32 kHz watch circuits with EEPROM

PCA16xx series

Time calibration

Taking a normal quartz crystal with frequency 32768kHz, frequency deviation ($\Delta f/f$) of $\pm 15 \times 10^{-6}$ and $C_L = 8.2 \text{ pF}$; the oscillator frequency is offset (by using non-symmetrical internal oscillator input and output capacitances of 10 pF and 15 pF) such that the frequency deviation is positive-only. This positive deviation can then be compensated for to maintain time-keeping accuracy.

Once the positive frequency deviation is measured, a corresponding number 'n' (see Table 1) is programmed into the device's EEPROM. This causes n pulses of frequency 8192 Hz to be inhibited every minute of operation, which achieves the required calibration.

The programming circuit is shown in Fig.2. The required number n is programmed into EEPROM by varying V_{DD} according to the steps shown in Fig.3, which are explained below:

1. The positive quartz frequency deviation ($\Delta f/f$) is measured, and the corresponding values of n are found according to Table 1.
2. V_{DD} is increased to 5.1 V allowing the contents of the EEPROM to be checked from the motor pulse period t_{T3} at nominal frequency.

3. V_{DD} is decreased to 2.5 V during a motor pulse to initialize a storing sequence.
4. The first V_{DD} pulse to 5.1 V erases the contents of EEPROM.
5. When the EEPROM is erased a logic 1 is at the TEST pin.
6. V_{DD} is increased to 5.1 V to read the data by pulsing V_{DD} n times to 4.5 V. After the n edge, V_{DD} is decreased to 2.5 V.
7. V_{DD} is increased to 5.1 V to store n bits in the EEPROM.
8. V_{DD} is decreased to 2.5 V to terminate the storing sequence and to return to operating mode.
9. V_{DD} is increased to 5.1 V to check writing from the motor pulse period t_{T3} .
10. V_{DD} is decreased to the operation voltage **between** two motor pulses to return to operating mode. (Decreasing V_{DD} during the motor pulse would restart the programming mode).

The time calibration can be reprogrammed up to 100 times.

Table 1 Quartz crystal frequency deviation, n and t_{T3}

FREQUENCY DEVIATION $\Delta f/f$ ($\times 10^{-6}$)	NUMBER OF PULSES (n)	t_{T3} (ms)
0 ⁽¹⁾	0	31.250 ⁽²⁾
+2.03	1	31.372
+4.06	2	31.494
.	.	.
.	.	.
.	.	.
+127.89	63	38.936

Notes

1. Increments of 2.03×10^{-6} /step.
2. Increments of 122 μs /step.

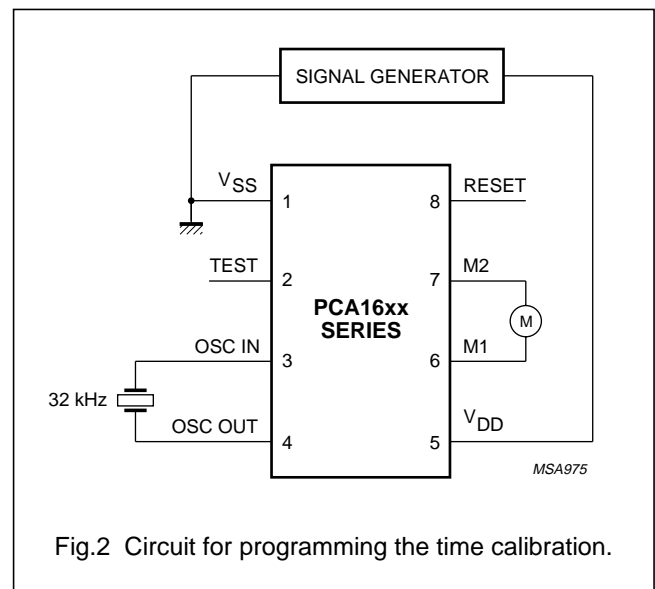
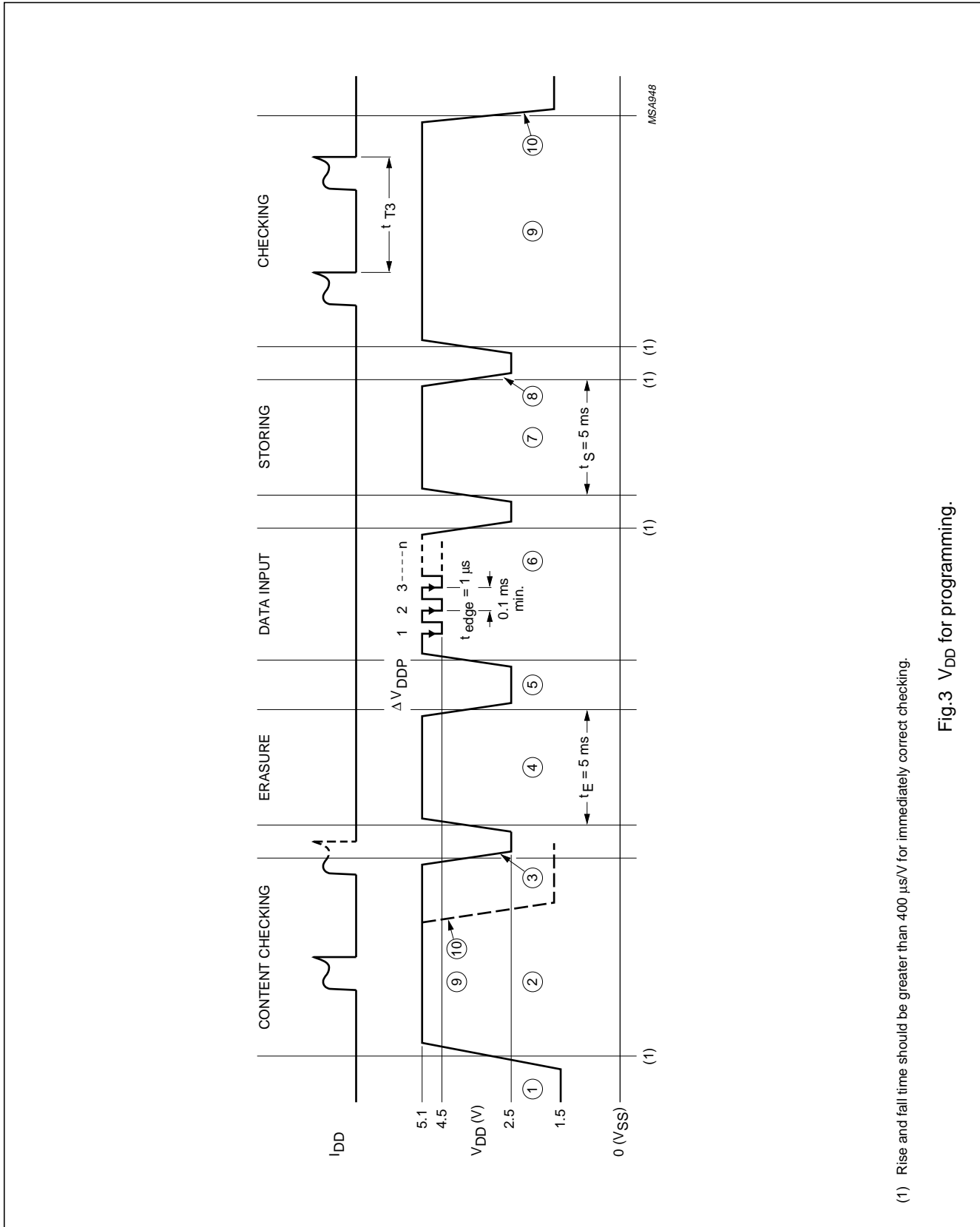


Fig.2 Circuit for programming the time calibration.

32 kHz watch circuits with EEPROM

PCA16xx series



(1) Rise and fall time should be greater than 400 $\mu\text{s/V}$ for immediately correct checking.

Fig.3 V_{DD} for programming.

32 kHz watch circuits with EEPROM

PCA16xx series

AVAILABLE TYPES

Refer to Fig.4 and to Chapters "Ordering information" and "Functional description and testing".

SHORT TYPE NUMBER	DELIVERY FORMAT ⁽¹⁾	PERIOD t_T (s)	SPECIFICATIONS				REMARKS
			PULSE WIDTH t_p (ms)	DRIVE (%)	EEPROM	BATTERY EOL DETECTION	
1601	U/10	1	7.8	100	yes	no	
1602	T	1	7.8	75	yes	no	
1603	U/7	20	7.8	100	yes	no	
1604	U/10	5	7.8	75	yes	no	
1605	U/7	5	4.8	75	yes	no	
1606	U/10	10	6.8	100	yes	no	
1607	U	5	5.8	100 75	yes	no	1.5 V and 2.1 V Lithium
1608	U	5	7.8	100 75	yes	no	1.5 V and 2.1 V Lithium
1611	U	1	6.8	75	yes	no	
1621	U/7	20	4.8	100	yes	no	
1622	U	1	4.8	100	yes	yes	
1623	U	20	4.8	75	yes	no	
1624	U	12	3.9	75 56	yes	no	1.5 V and 2.1 V Lithium
1625	U/7	5	5.8	75	yes	no	
1626	U	20	5.8	100	yes	no	
1627	U/7	20	5.8	100 75	yes	no	1.5 V and 2.1 V Lithium
1628	U	20	5.8	75	yes	no	
1629	U/7	5	6.8	75	yes	no	

Note

- U = Chip in trays; U/7 = chip with bumps on tape; U/10 = chip on foil.
T = SOT144-1.

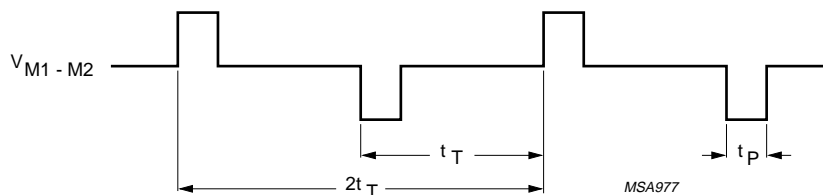


Fig.4 Motor output waveform (normal operation).

32 kHz watch circuits with EEPROM

PCA16xx series

LIMITING VALUES

In accordance with the Absolute Maximum Rating System (IEC134).

SYMBOL	PARAMETER	CONDITIONS	MIN.	MAX.	UNIT
V_{DD}	supply voltage	$V_{SS} = 0$ V; note 1	-1.8	+6	V
V_I	all input voltages		V_{SS}	V_{DD}	V
	output short-circuit duration		indefinite		
T_{amb}	operating ambient temperature		-10	+60	°C
T_{stg}	storage temperature		-30	+100	°C

Note

1. Connecting the battery with reversed polarity does not destroy the circuit, but in this condition a large current flows, which will rapidly discharge the battery.

HANDLING

Inputs and outputs are protected against electrostatic discharges in normal handling. However, to be totally safe, it is advisable to take handling precautions appropriate to handling MOS devices. Advice can be found in "Data Handbook IC16, General, Handling MOS Devices".

CHARACTERISTICS

$V_{DD} = 1.55$ V; $V_{SS} = 0$ V; $f_{osc} = 32.768$ kHz; $T_{amb} = 25$ °C; crystal: $R_S = 20$ k Ω ; $C_1 = 2$ to 3 fF; $C_L = 8$ to 10 pF; $C_0 = 1$ to 3 pF; unless otherwise specified.

Immunity against parasitic impedance = 20 M Ω from one pin to an adjacent pin.

SYMBOL	PARAMETER	CONDITIONS	MIN.	TYP.	MAX.	UNIT
Supply						
V_{DD}	supply voltage	$T_{amb} = -10$ to $+60$ °C	1.2	1.5	2.5	V
ΔV_{DD}	supply voltage variation	transient; $V_{DD} = 1.2$ to 2.5 V	-	-	0.25	V
V_{DDP}	supply voltage pulse	programming	5.0	5.1	5.2	V
ΔV_{DDP}	supply voltage pulse variation	programming	0.55	0.6	0.65	V
I_{DD1}	supply current	between motor pulses	-	170	260	nA
I_{DD2}	supply current	between motor pulses; $V_{DD} = 2.1$ V	-	190	300	nA
I_{DD3}	supply current	stop mode; pin 8 connected to V_{DD}	-	180	280	nA
I_{DD4}	supply current	stop mode; pin 8 connected to V_{DD} ; $V_{DD} = 2.1$ V	-	220	360	nA
I_{DD5}	supply current	$V_{DD} = 2.1$ V; $T_{amb} = -10$ to $+60$ °C	-	-	600	nA

32 kHz watch circuits with EEPROM

PCA16xx series

SYMBOL	PARAMETER	CONDITIONS	MIN.	TYP.	MAX.	UNIT	
Motor output							
V_{sat}	saturation voltage $\Sigma (P + N)$	$R_L = 2 \text{ k}\Omega$; $T_{amb} = -10 \text{ to } +60 \text{ }^\circ\text{C}$	–	150	200	mV	
R_{sc}	short-circuit resistance $\Sigma (P + N)$	$I_{transistor} < 1 \text{ mA}$	–	200	300	Ω	
t_T	cycle time		note 1				
t_P	pulse width		note 2				
Oscillator							
$V_{OSC\ ST}$	starting voltage		1.2	–	–	V	
g_m	transconductance	$V_{i(p-p)} \leq 50 \text{ mV}$	6	15	–	μS	
t_{osc}	start-up time		–	1	–	s	
$\Delta f/f$	frequency stability	$\Delta V_{DD} = 100 \text{ mV}$	–	0.05×10^{-6}	0.3×10^{-6}		
C_i	input capacitance		8	10	12	pF	
C_o	output capacitance		12	15	18	pF	
Voltage level detector							
V_{LIT}	threshold voltage	lithium mode	1.65	1.80	1.95	V	
V_{EOL}	threshold voltage	battery end-of-life	1.27	1.38	1.46	V	
ΔV_{VLD}	hysteresis of threshold		–	10	–	mV	
TC_{VLD}	temperature coefficient		–	–1	–	mV/K	
t_V	voltage detection cycle		–	60	–	s	
Reset input							
f_o	output frequency		–	32	–	Hz	
ΔV_o	output voltage swing	$R = 1 \text{ M}\Omega$; $C = 10 \text{ pF}$	1.4	–	–	V	
t_{edge}	edge time	$R = 1 \text{ M}\Omega$; $C = 10 \text{ pF}$	–	1	–	μs	
I_{im}	peak input current	note 3	–	320	–	nA	
$I_{i(av)}$	average input current		–	10	–	nA	
Test mode							
t_{T1}	cycle time for motor pulses in: test 1		–	125	–	ms	
t_{T2}			test 2	–	31.25	–	ms
t_{T3}			test 3	see Chapter “Available types”			
t_{DEB}	debounce time	RESET = V_{DD}	14.7	–	123.2	ms	
Battery end-of-life							
t_{EOL}	end-of-life sequence		–	4	–	s	
t_{E1}	motor pulse width	see “Available types”	–	t_P	–	ms	
t_{E2}	time between pulses		–	31.25	–	ms	

Notes

1. Cycle time can be changed to one of the following values: 1, 5, 10, 12 or 20 s (see Chapter “Available types”).
2. Pulse width can be varied from 2 ms to 15.7 ms in steps of 1 ms (see Chapter “Available types”).
3. Duty factor is 1 : 32 and RESET = V_{DD} or V_{SS} .

32 kHz watch circuits with EEPROM

PCA16xx series

CHIP DIMENSIONS AND BONDING PAD LOCATIONS

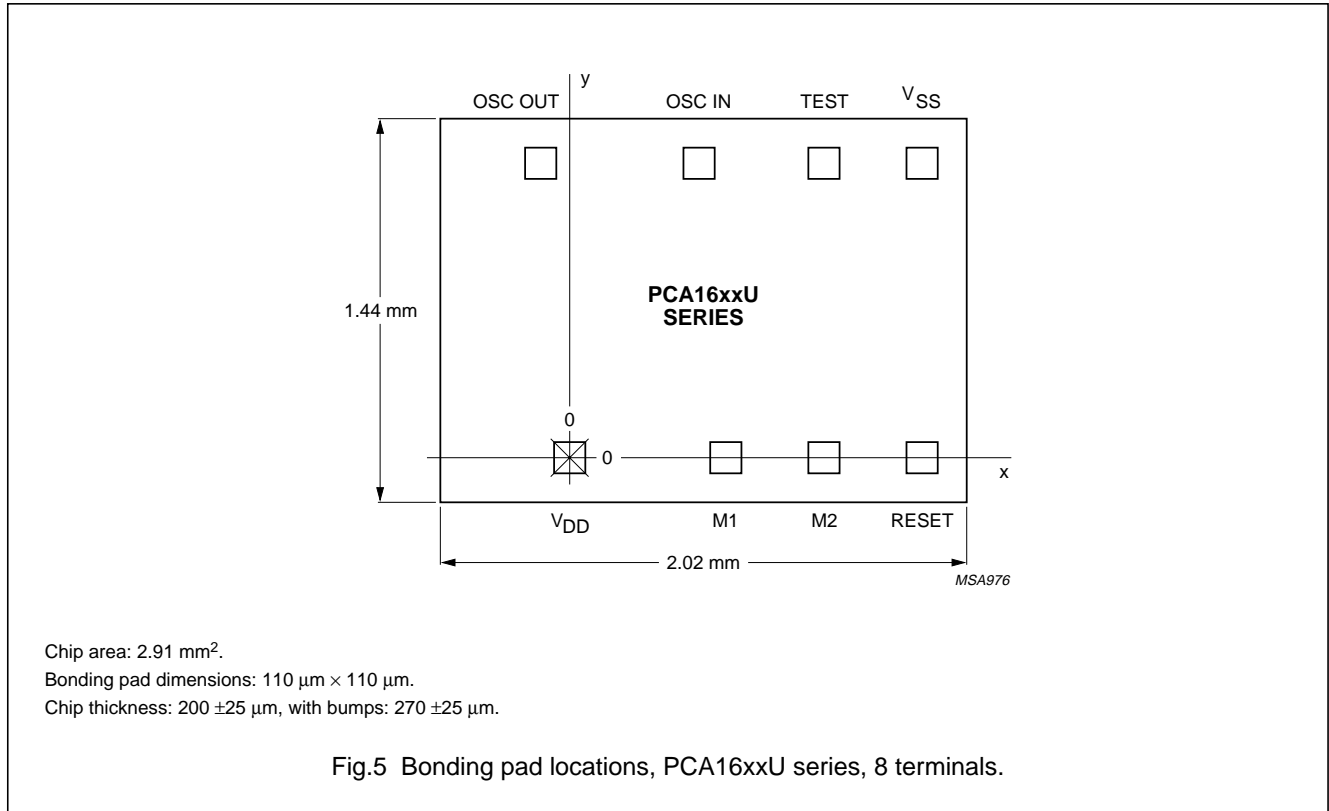


Fig.5 Bonding pad locations, PCA16xxU series, 8 terminals.

Table 2 Bonding pad locations (dimensions in μm)

All x/y coordinates are referenced to the centre of pad (V_{DD}), see Fig.5.

PAD	x	y
V _{SS}	1290	1100
TEST	940	1100
OSC IN	481	1100
OSC OUT	-102	1100
V _{DD}	0	0
M1	578	0
M2	930	0
RESET	1290	0
chip corner (max. value)	-497.5	-170

32 kHz watch circuits with EEPROM

PCA16xx series

APPLICATION INFORMATION

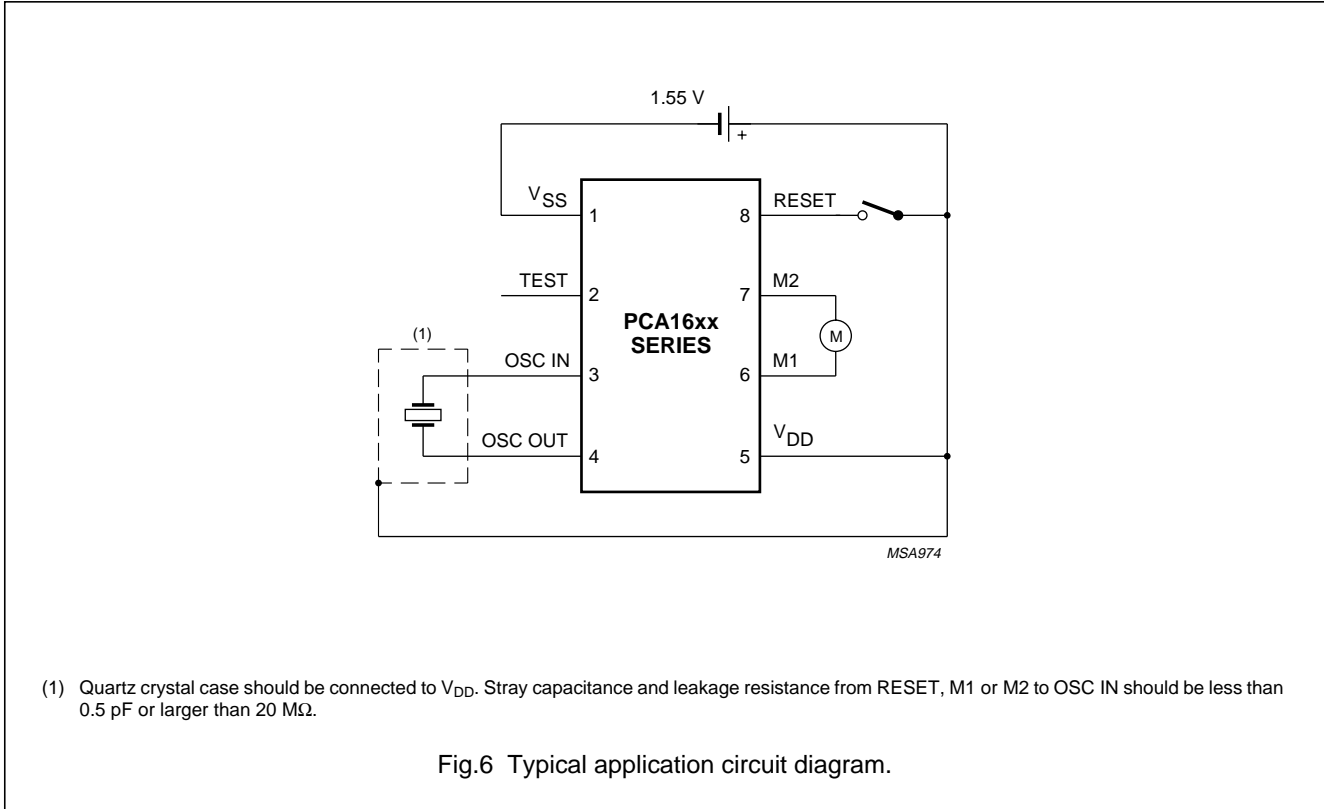


Fig.6 Typical application circuit diagram.

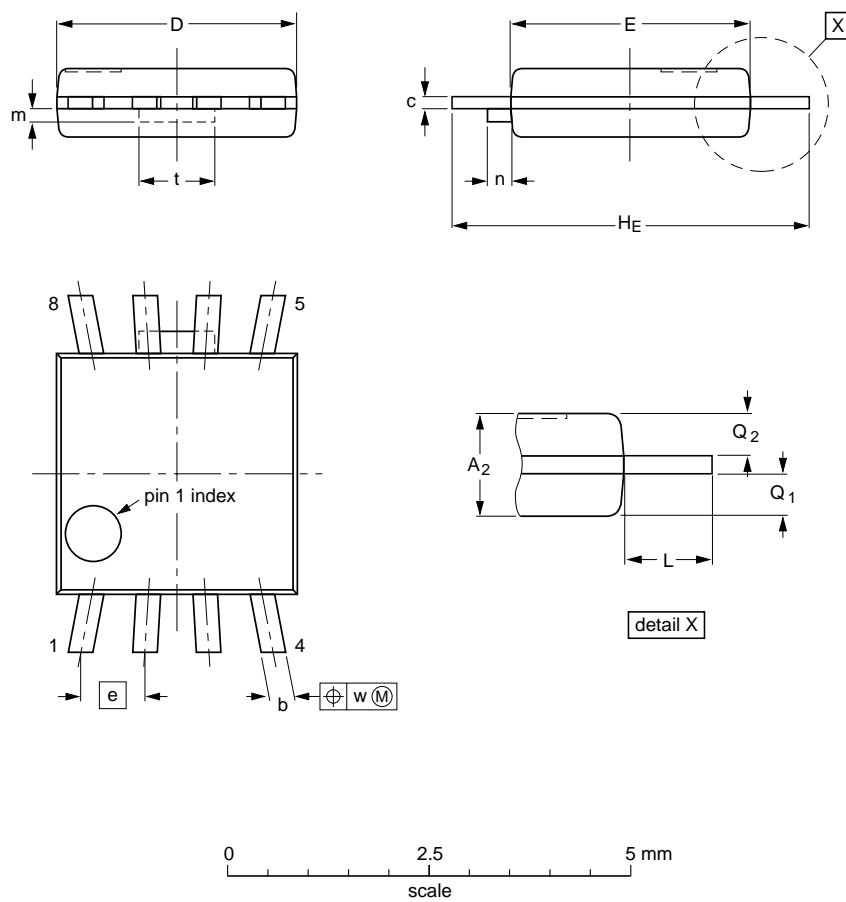
32 kHz watch circuits with EEPROM

PCA16xx series

PACKAGE OUTLINE

PMFP8: plastic micro flat package; 8 leads (straight)

SOT144-1



DIMENSIONS (mm are the original dimensions)

UNIT	A ₂	b	c	D ⁽¹⁾	E ⁽¹⁾	e	H _E	L	m max.	n max.	Q ₁	Q ₂	t	w
mm	0.90 0.70	0.40 0.25	0.19 0.12	3.1 2.9	3.1 2.9	0.80	4.6 4.4	0.75	0.26	0.3	0.40 0.30	0.40 0.30	0.95	0.1

Note

1. Plastic or metal protrusions of 0.15 mm maximum per side are not included.

OUTLINE VERSION	REFERENCES				EUROPEAN PROJECTION	ISSUE DATE
	IEC	JEDEC	EIAJ			
SOT144-1						94-01-25 95-01-24

32 kHz watch circuits with EEPROM

PCA16xx series

SOLDERING

Introduction

There is no soldering method that is ideal for all IC packages. Wave soldering is often preferred when through-hole and surface mounted components are mixed on one printed-circuit board. However, wave soldering is not always suitable for surface mounted ICs, or for printed-circuits with high population densities. In these situations reflow soldering is often used.

This text gives a very brief insight to a complex technology. A more in-depth account of soldering ICs can be found in our "*IC Package Databook*" (order code 9398 652 90011).

Reflow soldering

Reflow soldering techniques are suitable for all SO packages.

Reflow soldering requires solder paste (a suspension of fine solder particles, flux and binding agent) to be applied to the printed-circuit board by screen printing, stencilling or pressure-syringe dispensing before package placement.

Several techniques exist for reflowing; for example, thermal conduction by heated belt. Dwell times vary between 50 and 300 seconds depending on heating method. Typical reflow temperatures range from 215 to 250 °C.

Preheating is necessary to dry the paste and evaporate the binding agent. Preheating duration: 45 minutes at 45 °C.

Wave soldering

Wave soldering techniques can be used for all SO packages if the following conditions are observed:

- A double-wave (a turbulent wave with high upward pressure followed by a smooth laminar wave) soldering technique should be used.
- The longitudinal axis of the package footprint must be parallel to the solder flow.
- The package footprint must incorporate solder thieves at the downstream end.

During placement and before soldering, the package must be fixed with a droplet of adhesive. The adhesive can be applied by screen printing, pin transfer or syringe dispensing. The package can be soldered after the adhesive is cured.

Maximum permissible solder temperature is 260 °C, and maximum duration of package immersion in solder is 10 seconds, if cooled to less than 150 °C within 6 seconds. Typical dwell time is 4 seconds at 250 °C.

A mildly-activated flux will eliminate the need for removal of corrosive residues in most applications.

Repairing soldered joints

Fix the component by first soldering two diagonally-opposite end leads. Use only a low voltage soldering iron (less than 24 V) applied to the flat part of the lead. Contact time must be limited to 10 seconds at up to 300 °C. When using a dedicated tool, all other leads can be soldered in one operation within 2 to 5 seconds between 270 and 320 °C.

32 kHz watch circuits with EEPROM

PCA16xx series

DEFINITIONS

Data sheet status	
Objective specification	This data sheet contains target or goal specifications for product development.
Preliminary specification	This data sheet contains preliminary data; supplementary data may be published later.
Product specification	This data sheet contains final product specifications.
Limiting values	
Limiting values given are in accordance with the Absolute Maximum Rating System (IEC 134). Stress above one or more of the limiting values may cause permanent damage to the device. These are stress ratings only and operation of the device at these or at any other conditions above those given in the Characteristics sections of the specification is not implied. Exposure to limiting values for extended periods may affect device reliability.	
Application information	
Where application information is given, it is advisory and does not form part of the specification.	

LIFE SUPPORT APPLICATIONS

These products are not designed for use in life support appliances, devices, or systems where malfunction of these products can reasonably be expected to result in personal injury. Philips customers using or selling these products for use in such applications do so at their own risk and agree to fully indemnify Philips for any damages resulting from such improper use or sale.

32 kHz watch circuits with EEPROM

PCA16xx series

NOTES

32 kHz watch circuits with EEPROM

PCA16xx series

NOTES

Philips Semiconductors – a worldwide company

Argentina: see South America

Australia: 34 Waterloo Road, NORTH RYDE, NSW 2113,
Tel. +61 2 9805 4455, Fax. +61 2 9805 4466

Austria: Computerstr. 6, A-1101 WIEN, P.O. Box 213,
Tel. +43 1 60 101, Fax. +43 1 60 101 1210

Belarus: Hotel Minsk Business Center, Bld. 3, r. 1211, Volodarski Str. 6,
220050 MINSK, Tel. +375 172 200 733, Fax. +375 172 200 773

Belgium: see The Netherlands

Brazil: see South America

Bulgaria: Philips Bulgaria Ltd., Energoproject, 15th floor,
51 James Bourchier Blvd., 1407 SOFIA,
Tel. +359 2 689 211, Fax. +359 2 689 102

Canada: PHILIPS SEMICONDUCTORS/COMPONENTS,
Tel. +1 800 234 7381

China/Hong Kong: 501 Hong Kong Industrial Technology Centre,
72 Tat Chee Avenue, Kowloon Tong, HONG KONG,
Tel. +852 2319 7888, Fax. +852 2319 7700

Colombia: see South America

Czech Republic: see Austria

Denmark: Prags Boulevard 80, PB 1919, DK-2300 COPENHAGEN S,
Tel. +45 32 88 2636, Fax. +45 31 57 0044

Finland: Sinikalliontie 3, FIN-02630 ESPOO,
Tel. +358 9 615800, Fax. +358 9 61580920

France: 4 Rue du Port-aux-Vins, BP317, 92156 SURESNES Cedex,
Tel. +33 1 40 99 6161, Fax. +33 1 40 99 6427

Germany: Hammerbrookstraße 69, D-20097 HAMBURG,
Tel. +49 40 23 53 60, Fax. +49 40 23 536 300

Greece: No. 15, 25th March Street, GR 17778 TAVROS/ATHENS,
Tel. +30 1 4894 339/239, Fax. +30 1 4814 240

Hungary: see Austria

India: Philips INDIA Ltd, Shivsagar Estate, A Block, Dr. Annie Besant Rd.
Worli, MUMBAI 400 018, Tel. +91 22 4938 541, Fax. +91 22 4938 722

Indonesia: see Singapore

Ireland: Newstead, Clonskeagh, DUBLIN 14,
Tel. +353 1 7640 000, Fax. +353 1 7640 200

Israel: RAPAC Electronics, 7 Kehilat Saloniki St, PO Box 18053,
TEL AVIV 61180, Tel. +972 3 645 0444, Fax. +972 3 649 1007

Italy: PHILIPS SEMICONDUCTORS, Piazza IV Novembre 3,
20124 MILANO, Tel. +39 2 6752 2531, Fax. +39 2 6752 2557

Japan: Philips Bldg 13-37, Kohnan 2-chome, Minato-ku, TOKYO 108,
Tel. +81 3 3740 5130, Fax. +81 3 3740 5077

Korea: Philips House, 260-199 Itaewon-dong, Yongsan-ku, SEOUL,
Tel. +82 2 709 1412, Fax. +82 2 709 1415

Malaysia: No. 76 Jalan Universiti, 46200 PETALING JAYA, SELANGOR,
Tel. +60 3 750 5214, Fax. +60 3 757 4880

Mexico: 5900 Gateway East, Suite 200, EL PASO, TEXAS 79905,
Tel. +9-5 800 234 7381

Middle East: see Italy

Netherlands: Postbus 90050, 5600 PB EINDHOVEN, Bldg. VB,
Tel. +31 40 27 82785, Fax. +31 40 27 88399

New Zealand: 2 Wagener Place, C.P.O. Box 1041, AUCKLAND,
Tel. +64 9 849 4160, Fax. +64 9 849 7811

Norway: Box 1, Manglerud 0612, OSLO,
Tel. +47 22 74 8000, Fax. +47 22 74 8341

Philippines: Philips Semiconductors Philippines Inc.,
106 Valero St. Salcedo Village, P.O. Box 2108 MCC, MAKATI,
Metro MANILA, Tel. +63 2 816 6380, Fax. +63 2 817 3474

Poland: Ul. Lukiska 10, PL 04-123 WARSZAWA,
Tel. +48 22 612 2831, Fax. +48 22 612 2327

Portugal: see Spain

Romania: see Italy

Russia: Philips Russia, Ul. Usatcheva 35A, 119048 MOSCOW,
Tel. +7 095 755 6918, Fax. +7 095 755 6919

Singapore: Lorong 1, Toa Payoh, SINGAPORE 1231,
Tel. +65 350 2538, Fax. +65 251 6500

Slovakia: see Austria

Slovenia: see Italy

South Africa: S.A. PHILIPS Pty Ltd., 195-215 Main Road Martindale,
2092 JOHANNESBURG, P.O. Box 7430 Johannesburg 2000,
Tel. +27 11 470 5911, Fax. +27 11 470 5494

South America: Rua do Rocio 220, 5th floor, Suite 51,
04552-903 São Paulo, SÃO PAULO - SP, Brazil,
Tel. +55 11 821 2333, Fax. +55 11 829 1849

Spain: Balmes 22, 08007 BARCELONA,
Tel. +34 3 301 6312, Fax. +34 3 301 4107

Sweden: Kottbygatan 7, Akalla, S-16485 STOCKHOLM,
Tel. +46 8 632 2000, Fax. +46 8 632 2745

Switzerland: Allmendstrasse 140, CH-8027 ZÜRICH,
Tel. +41 1 488 2686, Fax. +41 1 481 7730

Taiwan: Philips Semiconductors, 6F, No. 96, Chien Kuo N. Rd., Sec. 1,
TAIPEI, Taiwan Tel. +886 2 2134 2865, Fax. +886 2 2134 2874

Thailand: PHILIPS ELECTRONICS (THAILAND) Ltd.,
209/2 Sanpavuth-Bangna Road Prakanong, BANGKOK 10260,
Tel. +66 2 745 4090, Fax. +66 2 398 0793

Turkey: Talatpasa Cad. No. 5, 80640 GÜLTEPE/ISTANBUL,
Tel. +90 212 279 2770, Fax. +90 212 282 6707

Ukraine: PHILIPS UKRAINE, 4 Patrice Lumumba str., Building B, Floor 7,
252042 KIEV, Tel. +380 44 264 2776, Fax. +380 44 268 0461

United Kingdom: Philips Semiconductors Ltd., 276 Bath Road, Hayes,
MIDDLESEX UB3 5BX, Tel. +44 181 730 5000, Fax. +44 181 754 8421

United States: 811 East Arques Avenue, SUNNYVALE, CA 94088-3409,
Tel. +1 800 234 7381

Uruguay: see South America

Vietnam: see Singapore

Yugoslavia: PHILIPS, Trg N. Pasica 5/v, 11000 BEOGRAD,
Tel. +381 11 625 344, Fax. +381 11 635 777

For all other countries apply to: Philips Semiconductors, Marketing & Sales Communications,
Building BE-p, P.O. Box 218, 5600 MD EINDHOVEN, The Netherlands, Fax. +31 40 27 24825

Internet: <http://www.semiconductors.philips.com>

© Philips Electronics N.V. 1997

SCA54

All rights are reserved. Reproduction in whole or in part is prohibited without the prior written consent of the copyright owner.

The information presented in this document does not form part of any quotation or contract, is believed to be accurate and reliable and may be changed without notice. No liability will be accepted by the publisher for any consequence of its use. Publication thereof does not convey nor imply any license under patent- or other industrial or intellectual property rights.

Printed in The Netherlands

417087/1200/03/pp16

Date of release: 1997 Dec 12

Document order number: 9397 750 03142

Let's make things better.

Philips
Semiconductors



PHILIPS